

Square Jar 250

Request Sample



General info

Item no. (SKU):	LS1170818105
Family / Range:	Square Jars
Capacity:	250ml
Neck:	70/400
Weight:	20
Shape:	Square
Material:	PET / RPET
Colour:	All Colours Available
Print Areas:	N/A
Country of Origin:	Lithuania

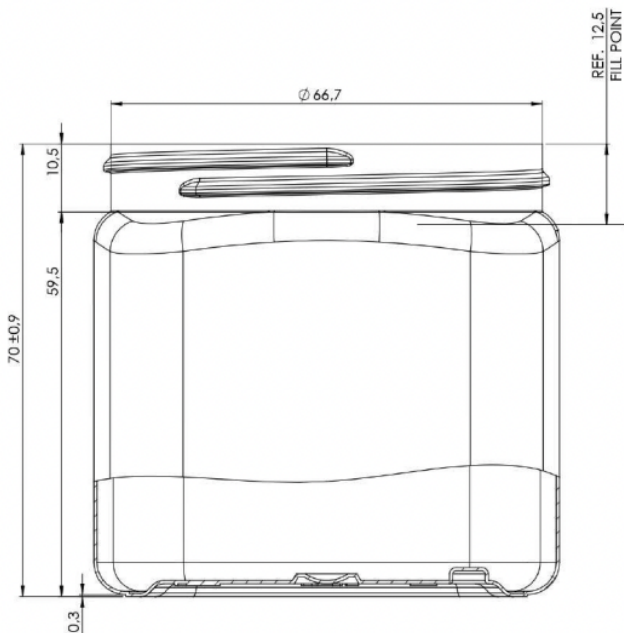
Packaging Info

Packed in Boxes

Box Dimensions (mm):	594 x 394 x 448
Quantity per box (pcs):	
Boxes per pallet (pcs):	20
Quantity per pallet (pcs):	
Net weight (kg):	
Gross weight (kg):	
Pallet height (mm):	2400

Packed in PE bags on trays (Full pallet)

Tray dimensions (mm):	1200 x 800 x 50
Quantity per tray (pcs):	352
Quantity per PE bag (pcs):	176
PE bags per tray (pcs):	2
Trays per pallet (pcs):	16
Quantity per pallet (pcs):	5632
Net weight (kg):	113
Gross weight (kg):	131
Pallet height (mm):	2400



Food contact statement

We hereby confirm that this product complies with the requirements of the European legislation (EU) no 10/2011 and all its amendments for plastics used in contact with food.

Storage

Please be aware that these products are handled and stored correctly in order to ensure the safety and quality of our products. When storing this product, please avoid excessive force and storage above 40 degrees Celsius (86 degrees Fahrenheit).